



Sistem DW-KL

OPIS

Univerzalni sistem: Duplostijeni, tlačno nepropusni dimovodni sistem od nehrđajućeg čelika s konusno brtvljenim spojem

MATERIJAL

Iznutra: 1.4404 (316L)/1.4571 (316Ti)

Alternativno: 1.4828 (309)

Izvana: 1.4301 (304)

POVRŠINA

Visoki sjaj

Alternativno: matirana, lakirano, četkano, bakar

DEBLJINA STIJENKE

Iznutra/izvana po 0,6 mm, ostali dostupni na upit

UNUTARNJI PROMJER

80 - 600 mm, ostali na upit od 1000 mm

IZOLACIJA

Mineralna izolacija debljine 32,5 mm, izolacija od 50 mm moguća je uz nadoplatu

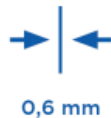
SPOJ

Konusna tehnika povezivanja

OBUJMICA

Uključena

Svestrana pasta se dodaje u odgovarajućoj količini



SVOJSTVA

- Metalna konusna površinska brtva
- Dostupni konusno krativi elementi KLK
- Tlačno nepropustan do 5000 Pa bez prirubnica i posebne brtve
- Pogodan i za visoke temperature
- Otporan na požar čađe ili neosjetljiv na vlagu

PODRUČJA PRIMJENE

- Standardna ložišta na ulje, plin, kruta goriva (prirodno drvo, koks, treset, ugljen*)
 - Kondenzacijski kotlovi
 - Ventilacijski sustavi
 - Pećnice
 - CHP, generatori za hitne slučajeve
- * isključujući antracitni ugljen

CE-BROJ CERTIFIKATA

0036 CPR 9174 001

CE-KLASIFIKACIJA PREMA DIN EN 1856 - 1

T200 - P1 - W - V2 - L50060 - O00

T200 - H1 - W - V2 - L50060 - Oxx

T400 - N1 - D - V3 - L50060 - Gxx

T400 - N1 - W - V2 - L50060 - Oxx

T400 - P1 - W - V2 - L50060 - Oxx

T450 - H1 - W - V2 - L50060 - Oxx

T600 - N1 - D - V3 - L50060 - Gxx

T600 - H1 - W - V2 - L50060 - Gxx

xx = udaljenosti do zapaljivih građevinskih materijala
ovise o \varnothing , pogledajte Izjave o svojstvima

SPOJNI PRIKLJUČAK

CE-BROJ CERTIFIKATA

0036 CPR 9174 047

CE-KLASIFIKACIJA PREMA DIN EN 1856-2

T450 - N1 - W - V2 - L50060 - O50M

T600 - N1 - D - V3 - L50060 - G100M

T600 - N1 - W - V2 - L50060 - O100M



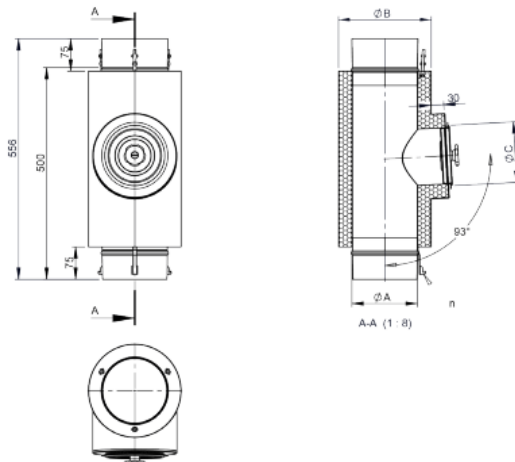
Sistem DW-KL

DWKH10

element sa revizijom (do 200°C/P1)



Ø	Code	A	B	C	D	E	F	G	H	kg
080	DWKH10080	080	145	80						2.99
100	DWKH10100	100	165	100						3.52
130	DWKH10130	130	195	100						4.33
150	DWKH10150	150	215	130						4.88
180	DWKH10180	180	245	130						5.54
200	DWKH10200	200	265	130						6.04
225	DWKH10225	225	290	130						6.67
250	DWKH10250	250	315	130						7.24
300	DWKH10300	300	365	150						8.3
350	DWKH10350	350	415	200						9.53
400	DWKH10400	400	465	200						10.93
450	DWKH10450	450	515	200						12.05
500	DWKH10500	500	565	250						13.14
600	DWKH10600	600	665	250						15.14



DWKH926HTW

element sa revizijom (do 250°C/H1)



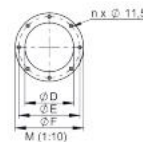
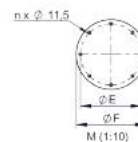
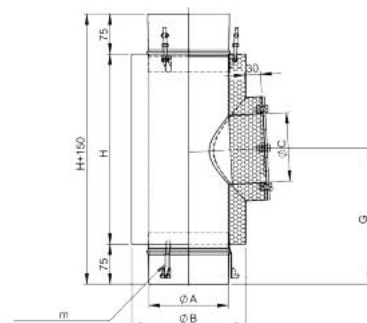
Ø	Code	A	B	C	D	E	F	G	H	kg
080	DWKH926HTW080									
100	DWKH926HTW100									
130	DWKH926HTW130									
150	DWKH926HTW150									
180	DWKH926HTW180									
200	DWKH926HTW200									
225	DWKH926HTW225									
250	DWKH926HTW250									
300	DWKH926HTW300									
350	DWKH926HTW350									
400	DWKH926HTW400									
450	DWKH926HTW450									
500	DWKH926HTW500									
600	DWKH926HTW600									

DWKH926HTD

element sa revizijom (za 600°C/H1)



Ø	Code	A	B	C	D	E	F	G	H	kg
080	DWKH926HTD080	080	145	80	82	120	143.5	225	356	3.38
100	DWKH926HTD100	100	165	100	82	120	143.5	225	356	3.74
130	DWKH926HTD130	130	195	100	102	139	163.5	225	356	4.51
150	DWKH926HTD150	150	215	130	132	169	193.5	225	356	5.27
180	DWKH926HTD180	180	245	130	132	169	193.5	225	356	5.81
200	DWKH926HTD200	200	265	130	132	169	193.5	225	356	6.1
225	DWKH926HTD225	225	290	130	132	169	193.5	275	396	7.07
250	DWKH926HTD250	250	315	130	132	169	193.5	275	396	7.57
300	DWKH926HTD300	300	365	150	153.4	191	213.5	315	476	8.83
350	DWKH926HTD350	350	415	200	202	241	263.5	315	476	10.57
400	DWKH926HTD400	400	465	200	202	241	263.5	315	476	13.03
450	DWKH926HTD450	450	515	200	202	241	263.5	315	476	14.2
500	DWKH926HTD500	500	565	250	202	241	263.5	315	476	15.38
600	DWKH926HTD600	600	665	250	202	241	263.5	315	476	17.73



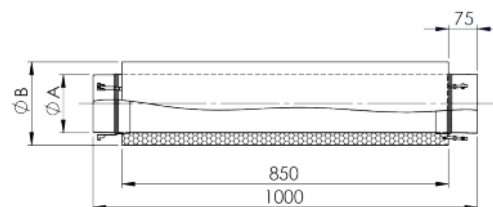


Sistem DW-KL

DWKH013
cijev 1000 mm



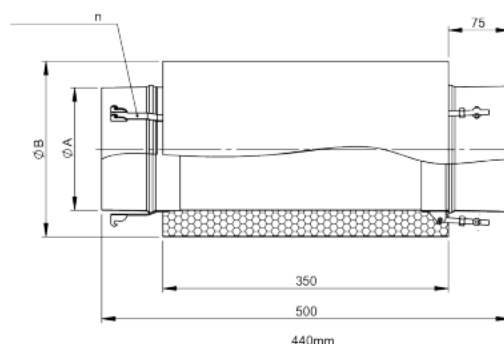
Ø	Code	A	B	C	D	E	F	G	H	kg
080	DWKH013080	080	145							4.5
100	DWKH013100	100	165							5.3
130	DWKH013130	130	195							6.5
150	DWKH013150	150	215							7.3
180	DWKH013180	180	245							8.5
200	DWKH013200	200	265							9.3
225	DWKH013225	225	290							10.3
250	DWKH013250	250	315							11.4
300	DWKH013300	300	365							13.4
350	DWKH013350	350	415							15.4
400	DWKH013400	400	465							17.4
450	DWKH013450	450	515							19.4
500	DWKH013500	500	565							21.4
600	DWKH013600	600	665							25.5



DWKH014
cijev 500 mm



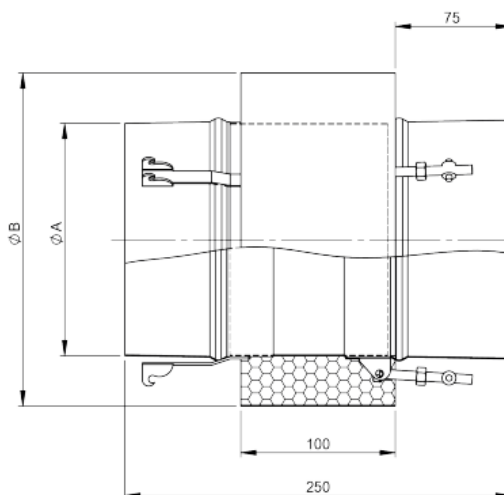
Ø	Code	A	B	C	D	E	F	G	H	kg
080	DWKH014080	080	145							2.2
100	DWKH014100	100	165							2.5
130	DWKH014130	130	195							3.2
150	DWKH014150	150	215							3.5
180	DWKH014180	180	245							4.1
200	DWKH014200	200	265							4.5
225	DWKH014225	225	290							5
250	DWKH014250	250	315							5.5
300	DWKH014300	300	365							6.5
350	DWKH014350	350	415							7.5
400	DWKH014400	400	465							8.5
450	DWKH014450	450	515							9.4
500	DWKH014500	500	565							10.4
600	DWKH014600	600	665							12.4



DWKH015
Cijev 250 mm



Ø	Code	A	B	C	D	E	F	G	H	kg
080	DWKH015080	080	145							1
100	DWKH015100	100	165							1.2
130	DWKH015130	130	195							1.5
150	DWKH015150	150	215							1.7
180	DWKH015180	180	245							1.9
200	DWKH015200	200	265							2.1
225	DWKH015225	225	290							2.4
250	DWKH015250	250	315							2.6
300	DWKH015300	300	365							3.1
350	DWKH015350	350	415							3.5
400	DWKH015400	400	465							4
450	DWKH015450	450	515							4.5
500	DWKH015500	500	565							5
600	DWKH015600	600	665							5.9



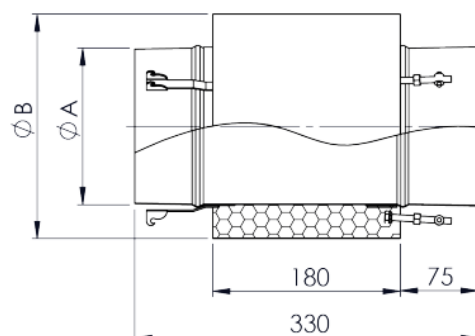


Sistem DW-KL

DWKH207
cijev 330 mm



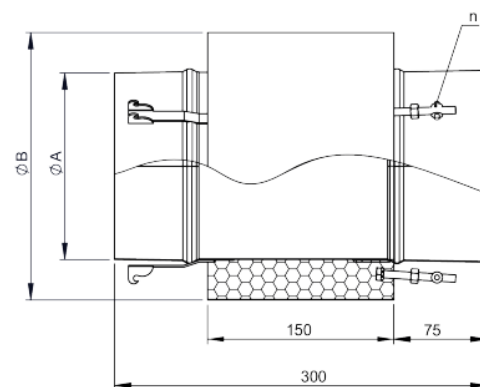
Ø	Code	A	B	C	D	E	F	G	H	kg
080	DWKH207080	080	145							1.3
100	DWKH207100	100	165							1.5
130	DWKH207130	130	195							1.8
150	DWKH207150	150	215							2
180	DWKH207180	180	245							2.2
200	DWKH207200	200	265							2.4
225	DWKH207225	225	290							2.7
250	DWKH207250	250	315							2.9
300	DWKH207300	300	365							3.4
350	DWKH207350	350	415							3.9
400	DWKH207400	400	465							4.9
450	DWKH207450	450	515							4.9
500	DWKH207500	500	565							5.4
600	DWKH207600	600	665							6.3



DWKH209
cijev 300 mm



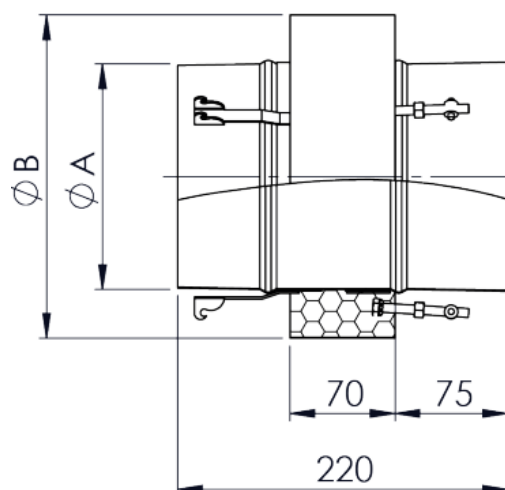
Ø	Code	A	B	C	D	E	F	G	H	kg
080	DWKH209080	080	145							1.1
100	DWKH209100	100	165							1.3
130	DWKH209130	130	195							1.6
150	DWKH209150	150	215							1.7
180	DWKH209180	180	245							2
200	DWKH209200	200	265							2.2
225	DWKH209225	225	290							2.4
250	DWKH209250	250	315							2.6
300	DWKH209300	300	365							3
350	DWKH209350	350	415							3.4
400	DWKH209400	400	465							3.9
450	DWKH209450	450	515							4.3
500	DWKH209500	500	565							4.7
600	DWKH209600	600	665							5.5



DWKH208
cijev 220 mm



Ø	Code	A	B	C	D	E	F	G	H	kg
080	DWKH208080	080	145							0.8
100	DWKH208100	100	165							0.9
130	DWKH208130	130	195							1
150	DWKH208150	150	215							1.1
180	DWKH208180	180	245							1.3
200	DWKH208200	200	265							1.4
225	DWKH208225	225	290							1.5
250	DWKH208250	250	315							1.6
300	DWKH208300	300	365							1.9
350	DWKH208350	350	415							2.2
400	DWKH208400	400	465							2.4
450	DWKH208450	450	515							2.7
500	DWKH208500	500	565							2.9
600	DWKH208600	600	665							3.4





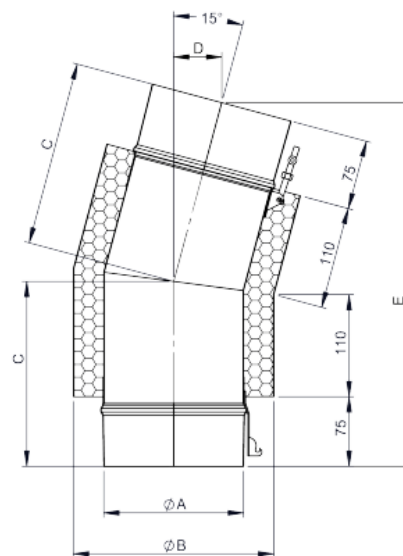
Sistem DW-KL

DWKH016

koljeno 15° fiksno



Ø	Code	A	B	C	D	E	F	G	H	kg
080	DWKH016080	080	145	195	50	382				1.5
100	DWKH016100	100	165	196	51	385				1.8
130	DWKH016130	130	195	198	51	389				2.2
150	DWKH016150	150	215	199	52	392				2.5
180	DWKH016180	180	245	201	52	395				2.9
200	DWKH016200	200	265	202	52	398				3.2
225	DWKH016225	225	290	204	53	401				3.5
250	DWKH016250	250	315	206	53	404				3.9
300	DWKH016300	300	365	209	54	411				4.6
350	DWKH016350	350	415	212	55	417				5.4
400	DWKH016400	400	465	216	56	424				6.2
450	DWKH016450	450	515	219	57	430				7.1
500	DWKH016500	500	565	222	58	437				8
600	DWKH016600	600	665	229	59	450				9.7

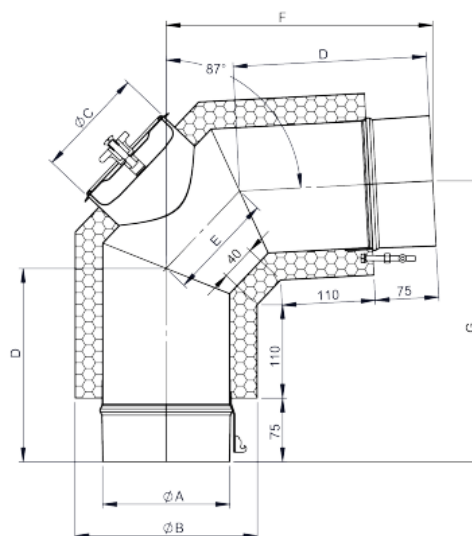


DWKH923

koljeno 87° sa revizijom (do 400°C/N1)



Ø	Code	A	B	C	D	E	F	G	H	kg
080	DWKH923080	080	145	80	214	98	281	296		2.3
100	DWKH923100	100	165	100	218	103	291	306		2.8
130	DWKH923130	130	195	100	224	118	305	321		3.5
150	DWKH923150	150	215	130	228	126	314	331		4
180	DWKH923180	180	245	130	234	138	329	346		4.8
200	DWKH923200	200	265	130	238	146	338	356		5.4
225	DWKH923225	225	290	130	243	156	350	369		6.2
250	DWKH923250	250	315	130	248	166	362	381		7
300	DWKH923300	300	365	150	258	186	385	406		8.7
350	DWKH923350	350	415	200	268	206	409	431		10.5
400	DWKH923400	400	465	200	287	226	433	456		12.6
450	DWKH923450	450	515	200	288	245	456	481		14.8
500	DWKH923500	500	565	250	298	265	480	506		17.2
600	DWKH923600	600	665	250	318	305	527	556		22.5

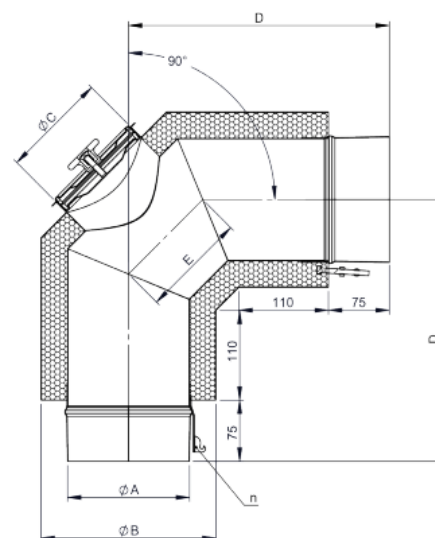


DWKH019

koljeno 90° sa revizijom (do 200°C/P1)



Ø	Code	A	B	C	D	E	F	G	H	kg
080	DWKH019080	080	145	80	286	100				2.4
100	DWKH019100	100	165	100	296	108				2.8
130	DWKH019130	130	195	100	311	121				3.5
150	DWKH019150	150	215	130	321	129				4.1
180	DWKH019180	180	245	130	336	141				4.9
200	DWKH019200	200	265	130	346	150				5.5
225	DWKH019225	225	290	130	358	160				6.3
250	DWKH019250	250	315	130	371	170				7.1
300	DWKH019300	300	365	150	396	191				8.8
350	DWKH019350	350	415	200	421	212				10.7
400	DWKH019400	400	465	200	446	233				12.8
450	DWKH019450	450	515	200	471	253				15.1
500	DWKH019500	500	565	250	496	274				17.5
600	DWKH019600	600	665	25	546	315				23





Sistem DW-KL

DWKH928HTW

koljeno 90° sa revizijom, mokri način rada
(do 250°C/H1)



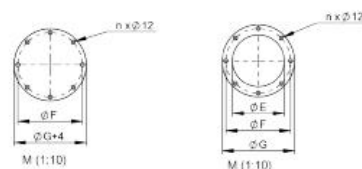
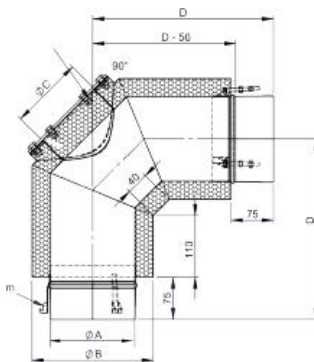
Ø	Code	A	B	C	D	E	F	G	H	kg
080	DWKH928HTW080									
100	DWKH928HTW100									
130	DWKH928HTW130									
150	DWKH928HTW150									
180	DWKH928HTW180									
200	DWKH928HTW200									
225	DWKH928HTW225									
250	DWKH928HTW250									
300	DWKH928HTW300									
350	DWKH928HTW350									
400	DWKH928HTW400									
450	DWKH928HTW450									
500	DWKH928HTW500									
600	DWKH928HTW600									

DWKH928HTD

koljeno 90° sa revizijom, suhi način rada (do 600°C/H1)



Ø	Code	A	B	C	D	E	F	G	H	kg
080	DWKH928HTD080	080	145	80	286	82	120	143.5		3.95
100	DWKH928HTD100	100	165	100	296	82	120	143.5		4.44
130	DWKH928HTD130	130	195	100	311	102	139	163.5		5.21
150	DWKH928HTD150	150	215	130	321	132	169	193.5		5.76
180	DWKH928HTD180	180	245	130	336	132	169	193.5		6.63
200	DWKH928HTD200	200	265	130	346	132	169	193.5		7.17
225	DWKH928HTD225	225	290	130	358	132	169	193.5		8.06
250	DWKH928HTD250	250	315	130	371	132	169	193.5		8.92
300	DWKH928HTD300	300	365	150	396	153.4	191	213.5		10.75
350	DWKH928HTD350	350	415	200	421	202	241	263.5		12.71
400	DWKH928HTD400	400	465	200	446	202	241	263.5		14.9
450	DWKH928HTD450	450	515	200	471	202	241	263.5		17.27
500	DWKH928HTD500	500	565	250	496	202	241	263.5		19.7
600	DWKH928HTD600	600	665	250	545	202	241	263.5		25.31

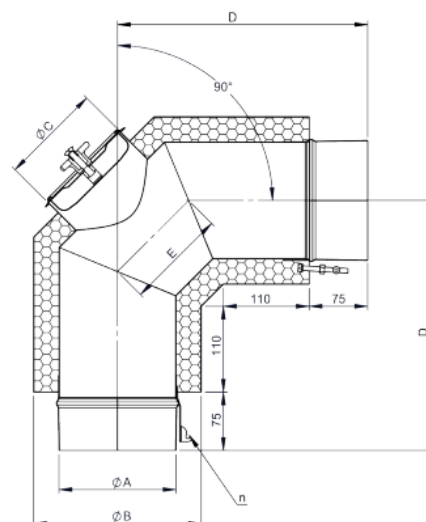


DWKH924

koljeno 90° sa revizijom (do 600°C/N1)



Ø	Code	A	B	C	D	E	F	G	H	kg
080	DWKH924080	080	145	80	286	100				2.4
100	DWKH924100	100	165	100	296	108				2.8
130	DWKH924130	130	195	100	311	121				3.5
150	DWKH924150	150	215	130	321	129				4.1
180	DWKH924180	180	245	130	336	141				4.9
200	DWKH924200	200	265	130	346	150				5.5
225	DWKH924225	225	290	130	358	160				6.3
250	DWKH924250	250	315	130	371	170				7.1
300	DWKH924300	300	365	150	396	191				8.8
350	DWKH924350	350	415	200	421	212				10.7
400	DWKH924400	400	465	200	446	233				12.8
450	DWKH924450	450	515	200	471	253				15.1
500	DWKH924500	500	565	250	496	274				17.5
600	DWKH924600	600	665	250	546	315				23





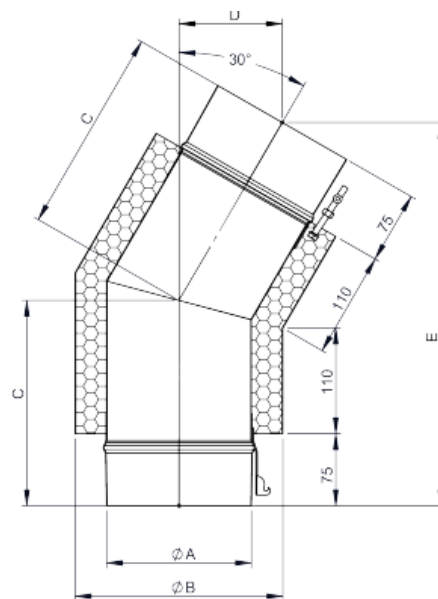
Sistem DW-KL

DWKH017

koljena 30° fiksno



Ø	Code	A	B	C	D	E	F	G	H	kg
080	DWKH017080	080	145	204	102	381				1.6
100	DWKH017100	100	165	207	104	386				1.9
130	DWKH017130	130	195	211	105	394				2.4
150	DWKH017150	150	215	214	107	399				2.7
180	DWKH017180	180	245	218	109	406				3.2
200	DWKH017200	200	265	221	110	411				3.5
225	DWKH017225	225	290	224	112	418				3.9
250	DWKH017250	250	315	227	114	424				4.4
300	DWKH017300	300	365	234	117	436				5.3
350	DWKH017350	350	415	241	120	449				6.3
400	DWKH017400	400	465	247	124	461				7.3
450	DWKH017450	450	515	254	127	474				8.4
500	DWKH017500	500	565	261	130	486				9.6
600	DWKH017600	600	665	274	137	511				12

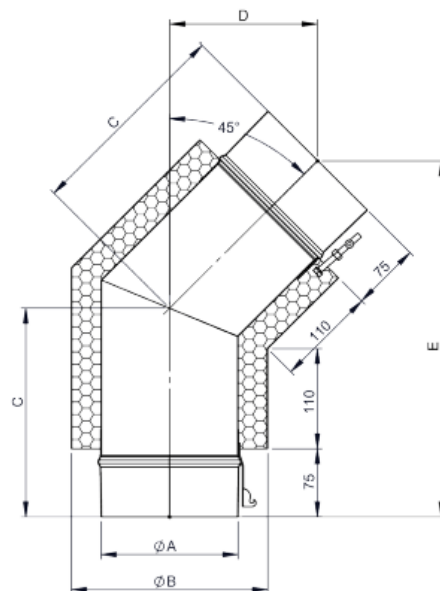


DWKH018

koljeno 45° fiksno



Ø	Code	A	B	C	D	E	F	G	H	kg
080	DWKH018080	080	145	215	152	367				1.7
100	DWKH018100	100	165	219	155	374				2.1
130	DWKH018130	130	195	225	159	385				2.6
150	DWKH018150	150	215	230	162	392				2.9
180	DWKH018180	180	245	236	167	402				3.5
200	DWKH018200	200	265	240	170	410				3.9
225	DWKH018225	225	290	245	173	418				4.4
250	DWKH018250	250	315	250	177	427				4.9
300	DWKH018300	300	365	261	184	445				6
350	DWKH018350	350	415	271	192	463				7.2
400	DWKH018400	400	465	281	199	480				8.5
450	DWKH018450	450	515	292	206	498				9.9
500	DWKH018500	500	565	302	214	516				11.4
600	DWKH018600	600	665	323	228	551				14.6

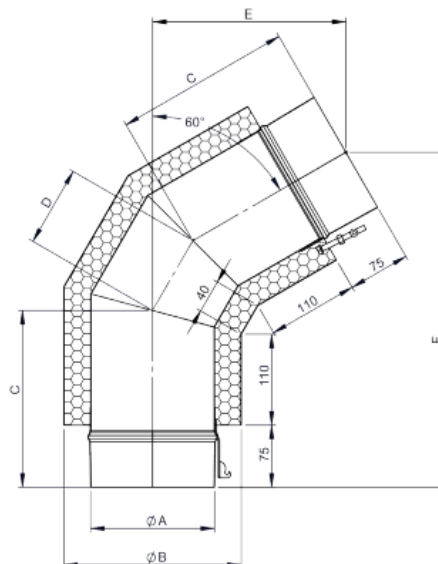


DWKH084

koljeno 60° fiksno



Ø	Code	A	B	C	D	E	F	G	H	kg
080	DWKH084080	080	145	204	79					2.4
100	DWKH084100	100	165	207	84					3
130	DWKH084130	130	195	211	92					3.4
150	DWKH084150	150	215	214	98					3.4
180	DWKH084180	180	245	218	106					4.1
200	DWKH084200	200	265	221	111					4.6
225	DWKH084225	225	290	224	118					5.2
250	DWKH084250	250	315	227	124					5.8
300	DWKH084300	300	365	234	138					7.2
350	DWKH084350	350	415	241	151					8.7
400	DWKH084400	400	465	247	165					10.3
450	DWKH084450	450	515	254	178					12
500	DWKH084500	500	565	261	191					13.8
600	DWKH084600	600	665	274	218					17.73





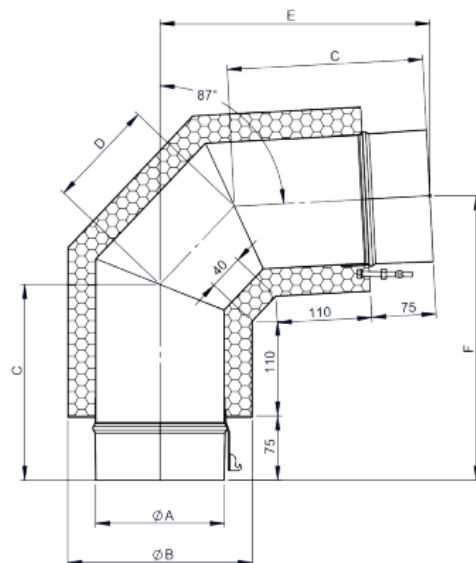
Sistem DW-KL

DWKH064

koljeno 87° fiksno



Ø	Code	A	B	C	D	E	F	G	H	kg
080	DWKH064080	080	145	214	98	281	296			2.2
100	DWKH064100	100	165	221	112	198	314			2.6
130	DWKH064130	130	195	224	118	305	321			3.3
150	DWKH064150	150	215	228	126	314	331			3.9
180	DWKH064180	180	245	234	138	329	346			4.7
200	DWKH064200	200	265	238	146	338	356			5.2
225	DWKH064225	225	290	243	166	362	381			6
250	DWKH064250	250	315	248	166	361	381			6.8
300	DWKH064300	300	365	258	186	385	406			8.5
350	DWKH064350	350	415	268	206	409	431			10.4
400	DWKH064400	400	465	278	226	433	456			12.5
450	DWKH064450	450	515	288	245	456	481			14.7
500	DWKH064500	500	565	298	265	480	506			17
600	DWKH064600	600	665	318	305	527	556			22.3

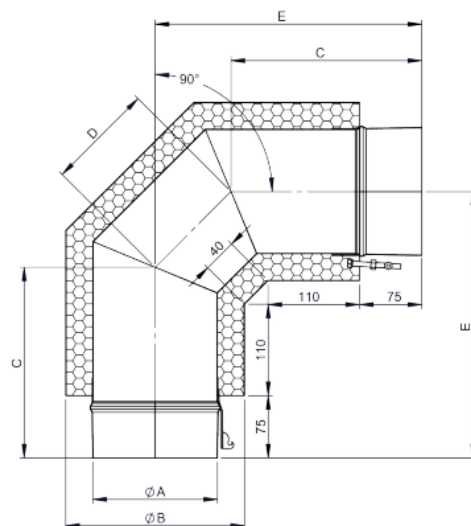


DWKH060

koljeno 90° fiksno



Ø	Code	A	B	C	D	E	F	G	H	kg
080	DWKH060080	080	145	215	100	286				2.2
100	DWKH060100	100	165	219	108	296				2.7
130	DWKH060130	130	195	225	112	311				3.4
150	DWKH060150	150	215	230	129	321				3.9
180	DWKH060180	180	245	236	141	335				4.7
200	DWKH060200	200	265	240	150	346				5.3
225	DWKH060225	225	290	245	160	358				6.1
250	DWKH060250	250	315	250	170	370				6.9
300	DWKH060300	300	365	261	191	396				8.7
350	DWKH060350	350	415	271	212	421				10.6
400	DWKH060400	400	465	281	233	446				12.7
450	DWKH060450	450	515	292	253	471				15
500	DWKH060500	500	565	302	274	496				17.4
600	DWKH060600	600	665	323	315	545				22.8

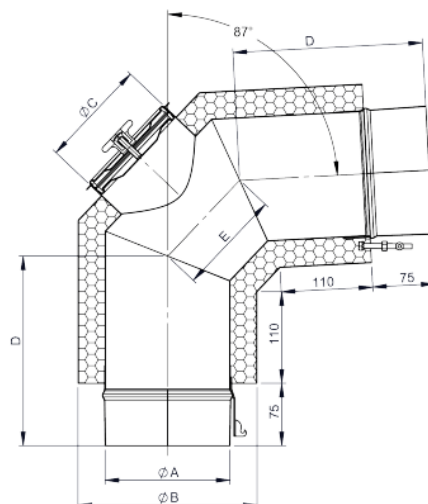


DWKH067

koljeno 87° sa revizijom (do 200°C/P1)



Ø	Code	A	B	C	D	E	F	G	H	kg
080	DWKH067080	080	145	80	214	98				2.3
100	DWKH067100	100	165	100	218	106				2.8
130	DWKH067130	130	195	100	224	118				3.5
150	DWKH067150	150	215	130	228	138				4
180	DWKH067180	180	245	130	234	138				4.8
200	DWKH067200	200	265	130	238	146				5.4
225	DWKH067225	225	290	130	243	156				6.5
250	DWKH067250	250	315	130	248	166				6.9
300	DWKH067300	300	365	150	258	184				8.61
350	DWKH067350	350	415	200	268	206				10.47
400	DWKH067400	400	465	200	278	226				12.55
450	DWKH067450	450	515	200	288	245				14.78
500	DWKH067500	500	565	200	298	265				17.35
600	DWKH067600	600	665	200	310	305				22.61





Sistem DW-KL

DWKH927HTW

koljeno 87° sa revizijom, mokri način rada (do 250°C/H1)



Ø	Code	A	B	C	D	E	F	G	H	kg
080	DWKH927HTW080	080								
100	DWKH927HTW100	100								
130	DWKH927HTW130	130								
150	DWKH927HTW150	150								
180	DWKH927HTW180	180								
200	DWKH927HTW200	200								
225	DWKH927HTW225	225								
250	DWKH927HTW250	250								
300	DWKH927HTW300	300								
350	DWKH927HTW350	350								
400	DWKH927HTW400	400								
450	DWKH927HTW450	450								
500	DWKH927HTW500	500								
600	DWKH927HTW600	600								

DWKH927HTD

koljeno 87° sa revizijom, suhi način rada (do 600°C/H1)



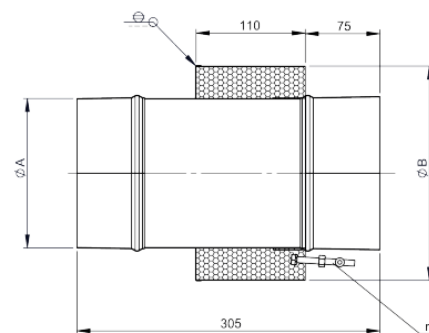
Ø	Code	A	B	C	D	E	F	G	H	kg
080	DWKH927HTD080									
100	DWKH927HTD100									
130	DWKH927HTD130									
150	DWKH927HTD150									
180	DWKH927HTD180									
200	DWKH927HTD200									
225	DWKH927HTD225									
250	DWKH927HTD250									
300	DWKH927HTD300									
350	DWKH927HTD350									
400	DWKH927HTD400									
450	DWKH927HTD450									
500	DWKH927HTD500									
600	DWKH927HTD600									

DWKH037

prijelaz EW-KL / DW-KH



Ø	Code	A	B	C	D	E	F	G	H	kg
080	DWKH037080	080	145							0.9
100	DWKH037100	100	165							1.1
130	DWKH037130	130	195							1.3
150	DWKH037150	150	215							1.4
180	DWKH037180	180	245							1.7
200	DWKH037200	200	265							1.8
225	DWKH037225	225	290							2
250	DWKH037250	250	315							2.2
300	DWKH037300	300	365							2.6
350	DWKH037350	350	415							3
400	DWKH037400	400	465							3.4
450	DWKH037450	450	515							3.7
500	DWKH037500	500	565							4.1
600	DWKH037600	600	665							4.9





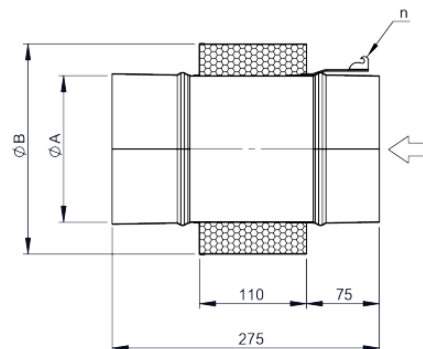
Sistem DW-KL

DWKH929

prijelaz DW-KH / EW-KL



Ø	Code	A	B	C	D	E	F	G	H	kg
080	DWKH929080	080	145							0.9
100	DWKH929100	100	165							1.1
130	DWKH929130	130	195							1.3
150	DWKH929150	150	215							1.4
180	DWKH929180	180	245							1.7
200	DWKH929200	200	265							1.8
225	DWKH929225	225	290							2
250	DWKH929250	250	315							2.2
300	DWKH929300	300	365							2.6
350	DWKH929350	350	415							3
400	DWKH929400	400	465							3.4
450	DWKH929450	450	515							3.7
500	DWKH929500	500	565							4.1
600	DWKH929600	600	665							4.9



DWKH51

mjerni element za vodoravnu i okomitu
ugradnju



Ø	Code	A	B	C	D	E	F	G	H	kg
080	DWKH51080	080	145							1.2
100	DWKH51100	100	165							1.3
130	DWKH51130	130	195							1.7
150	DWKH51150	150	215							1.9
180	DWKH51180	180	245							2.1
200	DWKH51200	200	265							2.3
225	DWKH51225	225	290							2.6
250	DWKH51250	250	315							3.8
300	DWKH51300	300	365							3.3
350	DWKH51350	350	415							3.7
400	DWKH51400	400	465							4.2
450	DWKH51450	450	515							4.7
500	DWKH51500	500	565							5.2
600	DWKH51600	600	665							6.1

