



Sistem EW – LINE FLEX AL

OPIS

Jednostijeni, fleksibilni i tlačno nepropusni dimovod od nehrđajućeg čelika za sanaciju postojećih kućnih dimnjaka sa zakošenjem.

MATERIJAL

1.4404 (316L)

1.4539 (904L) dostupan uz 100%-tnu nadoplatu (samo dvoslojan, debljina stijenke 0,18 mm)

POVRŠINA

Matirana

DEBLJINA STIJENKE

0,6 mm (krute unutarnje cijevi)

0,08 mm (Flex jednoslojni)

0,16 mm (Flex dvoslojni)

Ostali dostupni na upit

UNUTARNJI PROMJER

80 - 250 mm, ostali do 400 mm na upit (fleksibilne cijevi)

80 - 250 mm (krute cijevi sistem EW-AL-BI)

SPOJ

Utični spoj spojnica/žlijeb s unutarnjom specijalnom brtvom kao i dopuštenom smjesom za ispunjavanje spojnica za fleksibilno povezivanje

BRTVA

Varijante brtvi:

EPDM brtva: A = priložena, B = umetnuta, C = zalijepljena (EPDM nije moguć sa \varnothing 225 mm / 450 -600 mm)

Silikonska brtva D = priložena, E = umetnuta, F = zalijepljena



SVOJSTVA SISTEMA

- ✓ Tlačno nepropustan
- ✓ Jednostavna montaža bez otvaranja okna kod pomaka
- ✓ Otporan na kondenzat
- ✓ Unutrašnjost sa glatkim stijenkama kod dvoslojne izvedbe
- ✓ Moguće kombiniranje s osnovnim dijelovima sistema EW-FU+brtvenim prstenovima kao i dodatnim dijelovima sistema EW - AL - BI

PODRUČJA PRIMJENE

- ✓ Standardna ložišta za ulje, plin
- ✓ Kondenzacijski kotlovi

CE-BROJ CERTIFIKATA

0036 CPR 9174 013

CE-KLASIFIKACIJE PREMA DIN EN 1856-2

FLEX jednoslojno sa silikonskom brtvom FLEX dvoslojno (2x 0,08 = 0,16) sa silikonskom brtvom

T120 - P1 - W - V2 - L50008 - O T120 - P1 - W - V2 - L50008 - O

T200 - P1 - W - V2 - L50008 - O T200 - P1 - W - V2 - L50008 - O

Krute unutarnje cijevi sa EPDM-brtvom

T120 - P1 - W - V2 - L50060 - O

Sa silikonskom brtvom

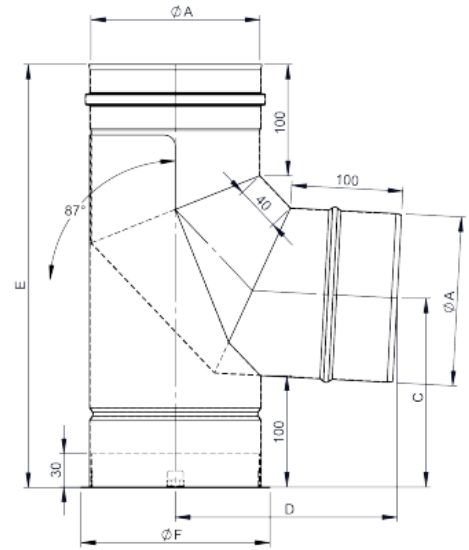
T200 - P1 - W - V2 - L50060 - O



Sistem EW – LINE FLEX AL

ALBI06...06

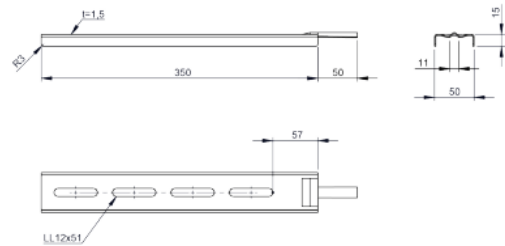
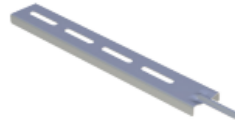
koljeno 87° sa potpornom stopom



ϕ	Code	A	B	C	D	E	F	G	H	kg
080	ALBI06D06080	80		134	166	309	100			0.7
100	ALBI06D06100	100		144	175	329	120			0.92
115	ALBI06D06115	115		152	182	344	135			1.09
120	ALBI06D06120	120		154	185	349	140			1.15
130	ALBI06D06130	130		159	190	359	150			1.28
140	ALBI06D06140	140		164	194	369	160			1.41
150	ALBI06D06150	150		170	199	380	170			1.56
160	ALBI06D06160	160		174	204	389	180			1.69
180	ALBI06D06180	180		184	213	410	200			2
200	ALBI06D06200	200		194	223	430	220			2.31
225	ALBI06D06225	225		207	235	455	245			2.74
250	ALBI06D06250	250		219	246	480	270			3.2

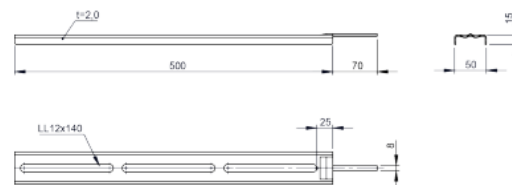
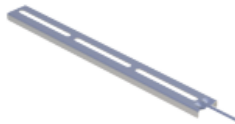
FU422

potporna šina 300 mm



FU422B

potporna šina 500 mm

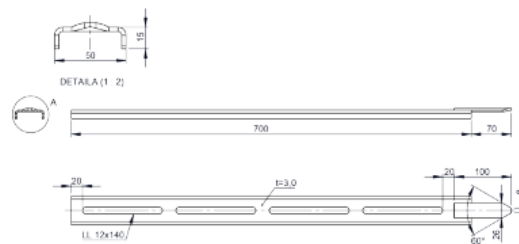
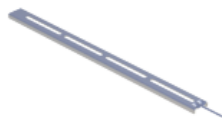




Sistem EW – LINE FLEX AL

FU422C

potporna šina 700 mm

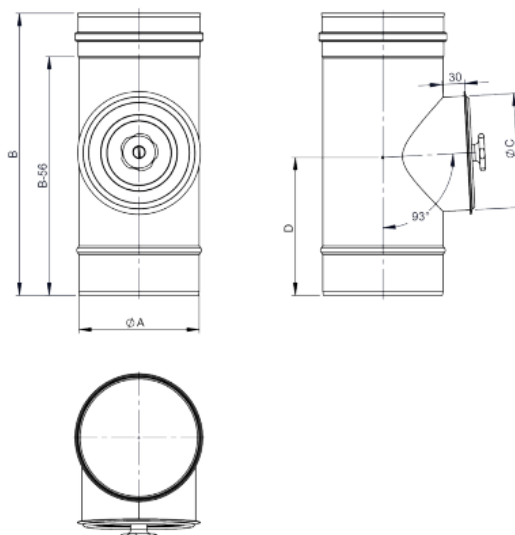


ALBI06...30

element sa revizijom okrugli (200°C/P1)



Ø	Code	A	B	C	D	E	F	G	H	kg
080	ALBI06D30080	80	376	80	185					0.85
100	ALBI06D30100	100	376	100	186					1.03
115	ALBI06D30115	115	376	115	186					1.19
120	ALBI06D30120	120	376	120	186					1.24
130	ALBI06D30130	130	376	130	187					1.35
140	ALBI06D30140	140	376	140	187					1.46
150	ALBI06D30150	150	376	150	187					1.58
160	ALBI06D30160	160	376	150	187					1.65
180	ALBI06D30180	180	376	150	188					1.81
200	ALBI06D30200	200	376	150	188					1.95
225	ALBI06D30225	225	406	180	197					2.4
250	ALBI06D30250	250	406	180	198					2.6

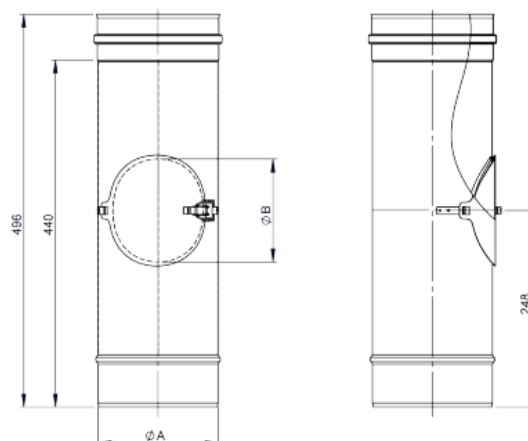


ALBI06...113D

element sa revizijom i brtvom 500 mm (200°C/P1)



Ø	Code	A	B	C	D	E	F	G	H	kg
080	ALBI06D113D080	80	80							0.65
100	ALBI06D113D100	100	100							0.81
115	ALBI06D113D115	115	100							0.92
120	ALBI06D113D120	120	100							0.96
130	ALBI06D113D130	130	100							1.04
140	ALBI06D113D140	140	100							1.12
150	ALBI06D113D150	150	130							1.2
160	ALBI06D113D160	160	130							1.27
180	ALBI06D113D180	180	130							1.43
200	ALBI06D113D200	200	130							1.58
225	ALBI06D113D225	225	130							1.77
250	ALBI06D113D250	250	130							1.96





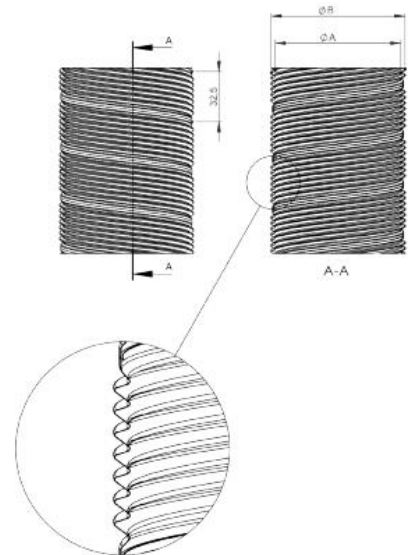
Sistem EW – LINE FLEX AL

121-F02

fleksibilna cijev, jednoslojna, 1 m



Ø	Code	A	B	C	D	E	F	G	H	kg/m
080	121-F02080	80.4	86.4							0.052
100	121-F02100	100.9	106.9							0.073
110	121-F02110	111.2	117.2							0.076
115	121-F02115	116.3	122.3							0.08
120	121-F02120	121.4	127.4							0.083
125	121-F02125									
130	121-F02130	131.6	137.6							0.091
140	121-F02140	141.9	147.9							0.097
150	121-F02150	152.1	158.1							0.104
160	121-F02160	162.4	168.4							0.111
180	121-F02180	181.4	187.4							0.124
200	121-F02200	202.6	208.6							0.138
225	121-F02225	228.2	234.2							0.156

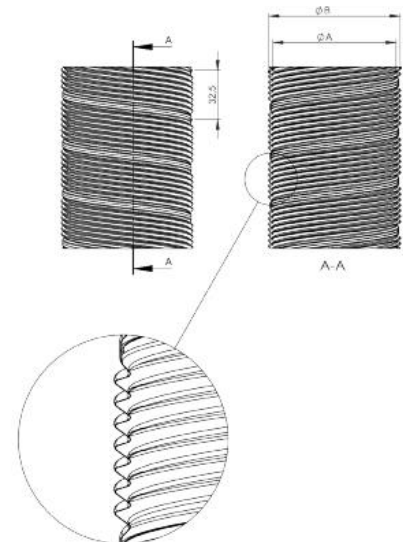


122-F02

fleksibilna cijev, jednoslojna, 1 m



Ø	Code	A	B	C	D	E	F	G	H	kg/m
250	122-F02250	253,8	259,8							0.174

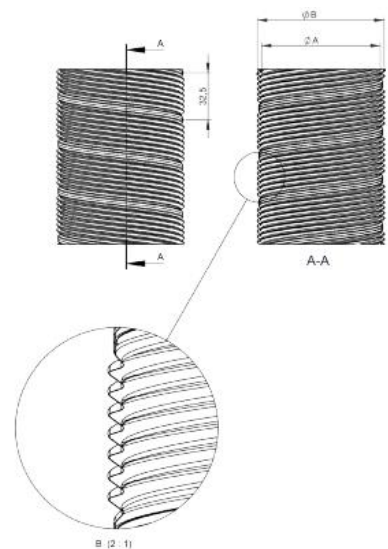


121-F02R-30

fleksibilna cijev, jednoslojna, 30 m



Ø	Code	A	B	C	D	E	F	G	H	kg/m
160	121-F02R160-30	162.4	168.4							0.111
180	121-F02R180-30	181.4	187.4							0.124
200	121-F02R200-30	202.6	208.6							0.138





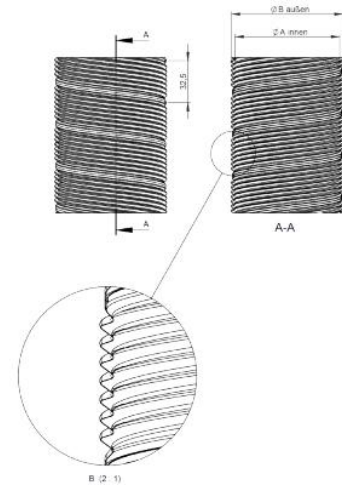
Sistem EW – LINE FLEX AL

121-F02R-50

fleksibilna cijev, jednoslojna, 50 m



Ø	Code	A	B	C	D	E	F	G	H	kg/m
080	121-F02R080-50	80.4	86.4							0.052
100	121-F02R100-50	100.9	106.9							0.076
110	121-F02R110-50	111.2	117.2							0.08
115	121-F02R115-50	116.3	122.3							0.083
120	121-F02R120-50	121.4	127.4							0.08
125	121-F02R125-50									
130	121-F02R130-50	131.6	137.6							0.091
140	121-F02R140-50	141.9	147.9							0.097
150	121-F02R150-50	152.1	158.1							0.104

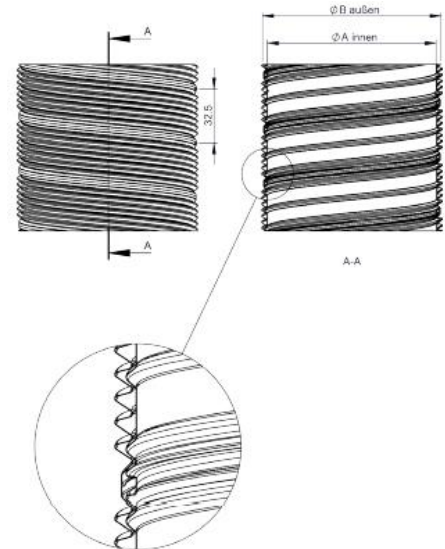


121-F01

fleksibilna cijev, dvoslojna 1m



Ø	Code	A	B	C	D	E	F	G	H	kg/m
080	121-F01080	81,7	87,7							0.426
100	121-F01100	101,8	107,8							0.527
110	121-F01110	111,9	117,9							0.278
115	121-F01115	116,9	122,9							0.603
120	121-F01120	124	130							0.639
125	121-F01125									
130	121-F01130	132	138							0.679
140	121-F01140	142,1	148,1							0.3
150	121-F01150	152,2	158,2							0.781
160	121-F01160	162,2	168,2							0.831
180	121-F01180	182,4	188,4							0.933
200	121-F01200	202,5	208,5							1.034

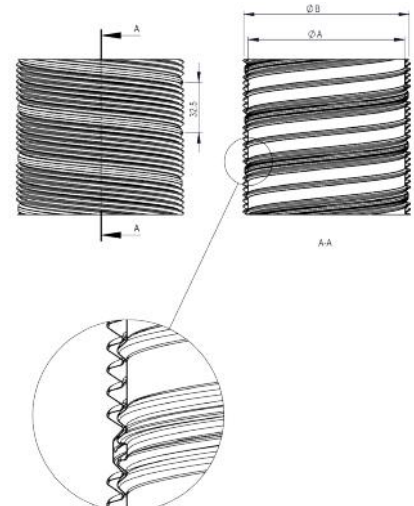


120-F01

fleksibilna cijev, dvoslojna 1m



Ø	Code	A	B	C	D	E	F	G	H	kg/m
250	120-F01250	252,8	258,8							1.286





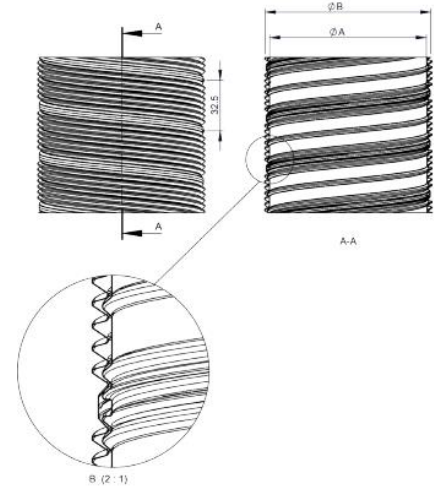
Sistem EW – LINE FLEX AL

120-F01R15

fleksibilna cijev, dvoslojna 15 m



Ø	Code	A	B	C	D	E	F	G	H	kg/m
250	120-F01R250-15	252.8	259							1.29

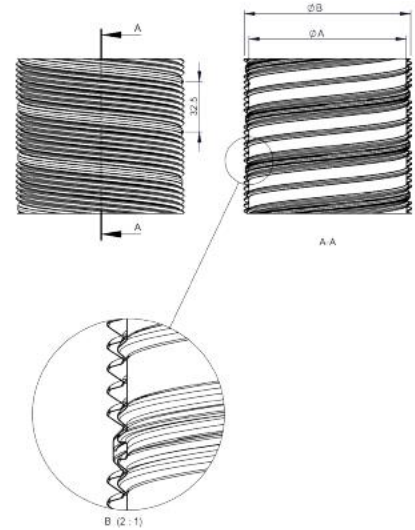


121-F01R30

fleksibilna cijev, dvoslojna 30 m



Ø	Code	A	B	C	D	E	F	G	H	kg/m
110	121-F01R110-30	111.9	117.9							0.578
115	121-F01R115-30	116.9	122.9							0.603
120	121-F01R120-30	124	130							0.679
125	121-F01R125-30									
130	121-F01R130-30	132	138							0.679
140	121-F01R140-30	142.1	148.1							0.73
150	121-F01R150-30	152.2	158.2							0.781
160	121-F01R160-30	162.2	168.2							0.831
180	121-F01R180-30	182.4	188.4							0.933
200	121-F01R200-30	202.5	208.5							1.034

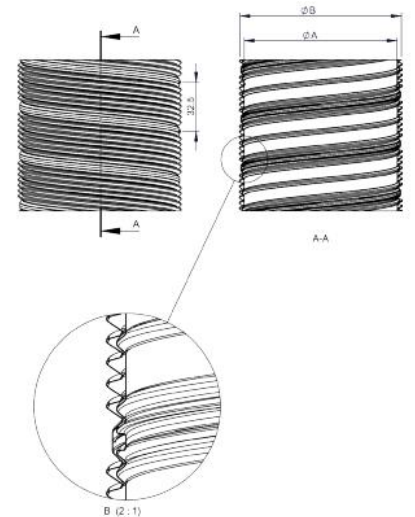


121-F01R50

fleksibilna cijev, dvoslojna 50 m



Ø	Code	A	B	C	D	E	F	G	H	kg/m
080	121-F01R080-50	81.7	87.7							0.426
100	121-F01R100-50	101.8	107.8							0.527



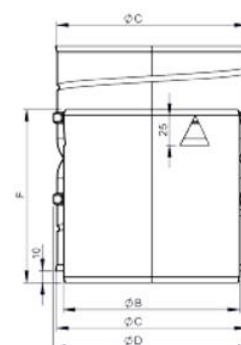
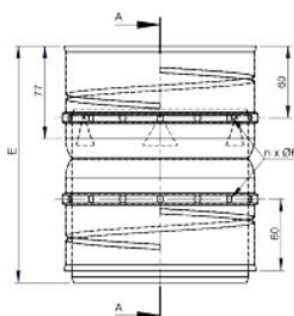


Sistem EW – LINE FLEX AL

FD06 adapter fleks/fleks



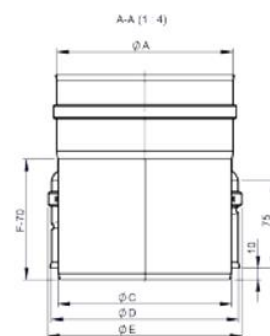
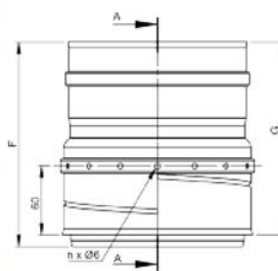
Ø	Code	A	B	C	D	E	F	G	n	kg
080	FD06080	80	78	90.2	96	198	145			0.46
100	FD06100	100	98	110	115	220	167			0.57
110	FD06110	110	108	120	126	198	145			0.62
115	FD06115	115	113	124.8	131	198	145			0.64
120	FD06120	120	118	130	136	198	145			0.68
125	FD06125	125	123	135	141	198	145			0.71
130	FD06130	130	128	140	146	198	145			0.73
140	FD06140	140	138	150	156	198	145			0.79
150	FD06150	150	149	160	166	198	145			0.85
160	FD06160	160	158	170	176	198	145			0.9
180	FD06180	180	178	190.5	197	198	145			1.01
200	FD06200	200	198	210	217	198	145			1.12
225	FD06225	225	223	235	241	198	145			1.26
250	FD06250	250	248	260.9	267	198	145			1.4



FDAL...07 adapter fleks/kruto



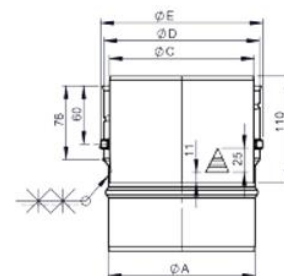
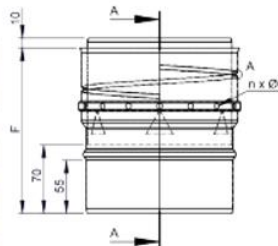
Ø	Code	A	B	C	D	E	F	G	n	kg
080	FD07080	80		78	90.2	96	175	167		0.47
100	FD07100	100		98	110	115	180	172		0.58
110	FD07110	110		108	120	126	175	167		0.64
115	FD07115	115		113	124.8	131	175	167		0.66
120	FD07120	120		118	130	136	175	167		0.7
125	FD07125	125		123	135	141	175	167		0.72
130	FD07130	130		128	140	146	175	167		0.75
140	FD07140	140		138	150	156	175	167		0.81
150	FD07150	150		149	160	166	175	167		0.87
160	FD07160	160		158	170	176	175	167		0.92
180	FD07180	180		178	190.5	197	175	167		1.04
200	FD07200	200		198	210	217	175	167		1.15
225	FD07225	225		223	235	241	175	167		1.29
250	FD07250	250		248	260.9	267	175	167		1.43



FD08 adapter kruto/fleks



Ø	Code	A	B	C	D	E	F	G	n	kg
080	FD08080	80		78	90.2	96.2	170			0.27
100	FD08100	100		98	110	116	180			0.34
110	FD08110	110		108	120	126	170			0.37
115	FD08115	115		113	124.8	130.8	170			0.38
120	FD08120	120		118	130	136	170			0.4
125	FD08125	125		123	135	141	170			0.42
130	FD08130	130		128	140	146	170			0.44
140	FD08140	140		138	150	156	170			0.47
150	FD08150	150		149	160	166	170			0.5
160	FD08160	160		158	170	176	170			0.53
180	FD08180	180		178	190.5	196.5	170			0.6
200	FD08200	200		198	210	216	170			0.66
225	FD08225	225		223	235	241	170			0.74
250	FD08250	250		248	260.9	266.9	170			0.82



A (2:1)

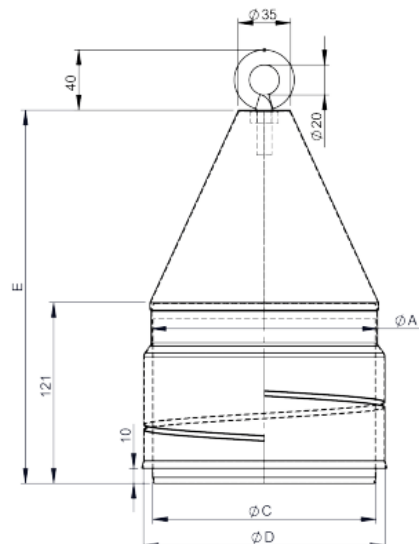




Sistem EW – LINE FLEX AL

FD789

montažna pomoć za fleks cijevi



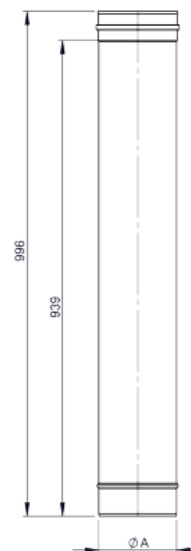
za Ø	Code	A	B	C	D	E	F	G	H	kg
080	FD789080	90		78	90.2	248				0.62
100	FD789100	110		98	110	248				0.72
110	FD789110	120		108	120	248				0.75
115	FD789115	125		113	124.8	248				0.78
120	FD789120	130		118	130	248				0.8
125	FD789125									
130	FD789130	140		128	140	248				0.85
140	FD789140	150		138	150	248				0.9
150	FD789150	160		149	160	248				0.95
160	FD789160	170		158	170	248				1
180	FD789180	180		178	190.5	248				1.1
200	FD789200	210		198	210	248				1.25

ALBI06...02

cijev 1000 mm



Ø	Code	A	B	C	D	E	F	G	H	kg
080	ALBI06D02080	80								1.22
100	ALBI06D02100	100								1.53
115	ALBI06D02115	115								1.75
120	ALBI06D02120	120								1.83
130	ALBI06D02130	130								1.98
140	ALBI06D02140	140								2.13
150	ALBI06D02150	150								2.3
160	ALBI06D02160	160								2.44
180	ALBI06D02180	180								2.74
200	ALBI06D02200	200								3.04
225	ALBI06D02225	225								3.42
250	ALBI06D02250	250								3.8

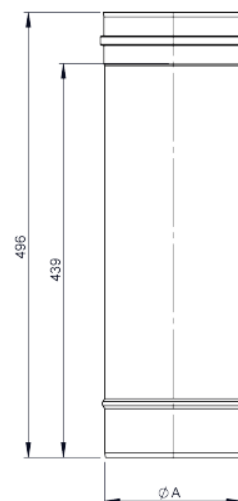


ALBI06...03

cijev 500 mm



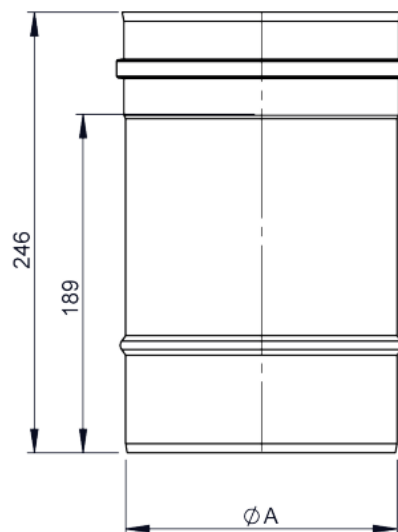
Ø	Code	A	B	C	D	E	F	G	H	kg
080	ALBI06D03080	80								0,62
100	ALBI06D03100	100								0,77
115	ALBI06D03115	115								0,88
120	ALBI06D03120	120								0,92
130	ALBI06D03130	130								1
140	ALBI06D03140	140								1,07
150	ALBI06D03150	150								1,16
160	ALBI06D03160	160								1,23
180	ALBI06D03180	180								1,38
200	ALBI06D03200	200								1,53
225	ALBI06D03225	225								1,72
250	ALBI06D03250	250								1,91





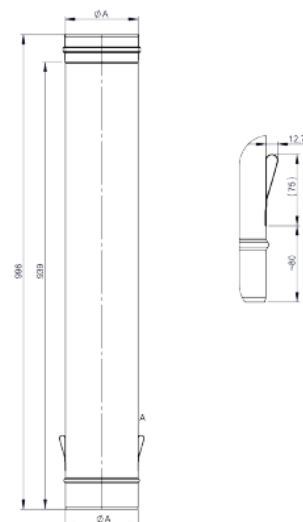
Sistem EW – LINE FLEX AL

ALBI06...04
cijev 250 mm



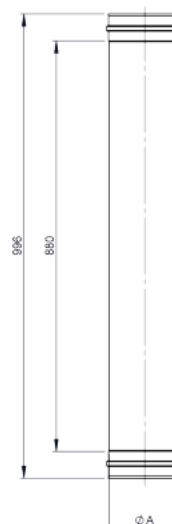
\emptyset	Code	A	B	C	D	E	F	G	H	kg
080	ALBI06D04080	80								0,31
100	ALBI06D04100	100								0,39
115	ALBI06D04115	115								0,45
120	ALBI06D04120	120								0,47
130	ALBI06D04130	130								0,51
140	ALBI06D04140	140								0,54
150	ALBI06D04150	150								0,59
160	ALBI06D04160	160								0,62
180	ALBI06D04180	180								0,7
200	ALBI06D04200	200								0,74
225	ALBI06D04225	225								0,78
250	ALBI06D04250	250								0,87

ALBI06...05
cijev 1000 mm sa 2 petlje za upuštanje



\emptyset	Code	A	B	C	D	E	F	G	H	kg
080	ALBI06D05080	80								1.24
100	ALBI06D05100	100								1.54
115	ALBI06D05115	115								1.76
120	ALBI06D05120	120								1.84
130	ALBI06D05130	130								1.99
140	ALBI06D05140	140								2.14
150	ALBI06D05150	150								2.31
160	ALBI06D05160	160								2.44
180	ALBI06D05180	180								2.76
200	ALBI06D05200	200								3.05
225	ALBI06D05225	225								3.44
250	ALBI06D05250	250								3.81

ALBI06...2438
cijev 1000 mm sa duplom spojnicom



\emptyset	Code	A	B	C	D	E	F	G	H	kg
080	ALBI06D2438080	80								
100	ALBI06D2438100	100								
115	ALBI06D2438115	115								1.75
120	ALBI06D2438120	120								1.83
130	ALBI06D2438130	130								1.98
140	ALBI06D2438140	140								2.13
150	ALBI06D2438150	150								2.3
160	ALBI06D2438160	160								2.43
180	ALBI06D2438180	180								2.74
200	ALBI06D2438200	200								3.04
225	ALBI06D2438225	225								3.42
250	ALBI06D2438250	250								3.8



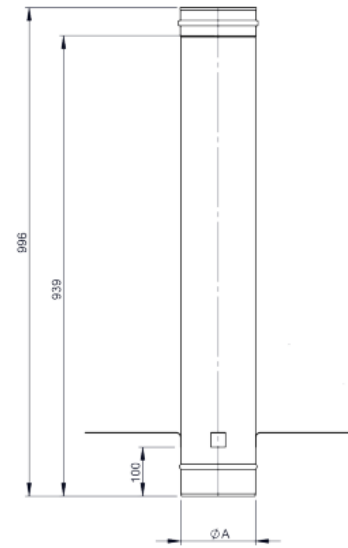
Sistem EW – LINE FLEX AL

ALBI06...70

cijev 1000 mm sa spojnicom za montažu

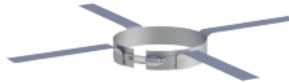


Ø	Code	A	B	C	D	E	F	G	H	kg
080	ALBI06D70080	80								1.4
100	ALBI06D70100	100								1.7
115	ALBI06D70115	115								1.9
120	ALBI06D70120	120								2
130	ALBI06D70130	130								2.2
140	ALBI06D70140	140								2.3
150	ALBI06D70150	150								2.5
160	ALBI06D70160	160								2.6
180	ALBI06D70180	180								2.9
200	ALBI06D70200	200								3.2
225	ALBI06D70225	225								3.6
250	ALBI06D70250	250								4

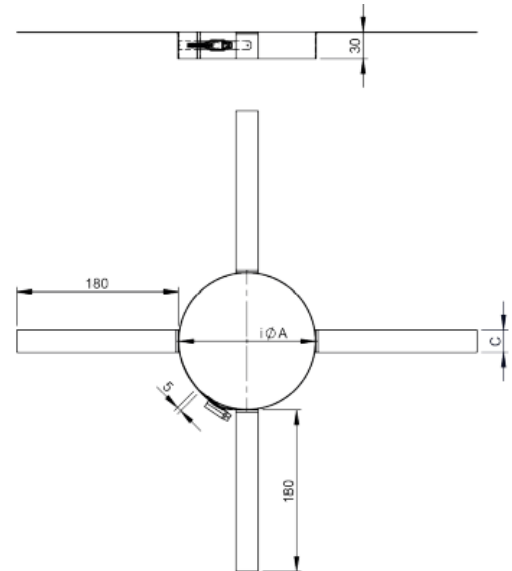


FU40

odstojnik



za Ø	Code	A	B	C	D	E	F	G	H	kg
080	FU40080	80		20						0.14
100	FU40100	100		20						0.14
110	FU40110									
115	FU40115	115		25						0.17
120	FU40120	120		25						0.17
125	FU40125	125		25						0.18
130	FU40130	130		25						0.18
140	FU40140	140		25						0.18
150	FU40150	150		25						0.19
160	FU40160	160		30						0.21
180	FU40180	180		30						0.22
200	FU40200	200		30						0.3
225	FU40225	225		30						0.31
250	FU40250	250		30						0.33

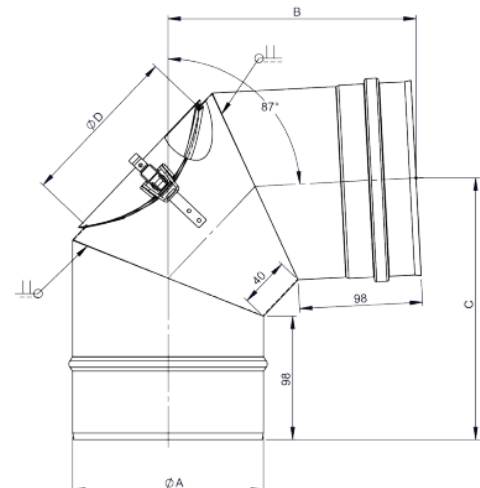


ALBI06...14

koljeno 87° sa revizijom i brtvom (200°C/P1)



Ø	Code	A	B	C	D	E	F	G	H	kg
080	ALBI06D14080	80	164	173	80					0.41
100	ALBI06D14100	100	173	182	100					0.53
115	ALBI06D14115	115	180	190	100					0.63
120	ALBI06D14120	120	183	192	100					0.66
130	ALBI06D14130	130	187	197	100					0.73
140	ALBI06D14140	140	192	202	100					0.8
150	ALBI06D14150	150	197	208	130					0.89
160	ALBI06D14160	160	201	212	130					0.95
180	ALBI06D14180	180	211	223	130					1.11
200	ALBI06D14200	200	220	232	130					1.28
225	ALBI06D14225	225	232	245	130					1.5
250	ALBI06D14250	250	244	257	130					1.74





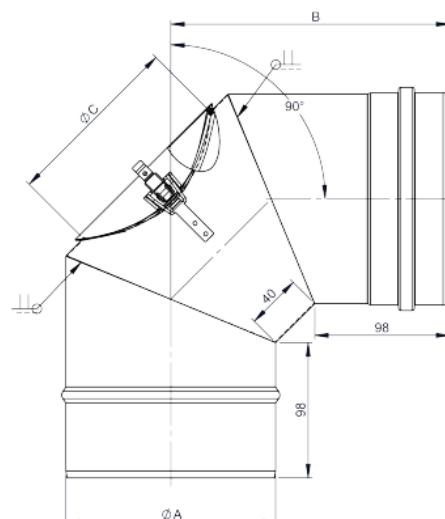
Sistem EW – LINE FLEX AL

ALBI06...15

koljeno 90° sa revizijom i brtvom (200°C/P1)



Ø	Code	A	B	C	D	E	F	G	H	kg
080	ALBI06D15080	80	167	80						0.42
100	ALBI06D15100	100	177	100						0.54
115	ALBI06D15115	115	184	100						0.64
120	ALBI06D15120	120	187	100						0.67
130	ALBI06D15130	130	192	100						0.74
140	ALBI06D15140	140	197	100						0.81
150	ALBI06D15150	150	202	130						0.9
160	ALBI06D15160	160	207	130						0.96
180	ALBI06D15180	180	217	130						1.13
200	ALBI06D15200	200	227	130						1.29
225	ALBI06D15225	225	239	130						1.52
250	ALBI06D15250	250	252	130						1.76

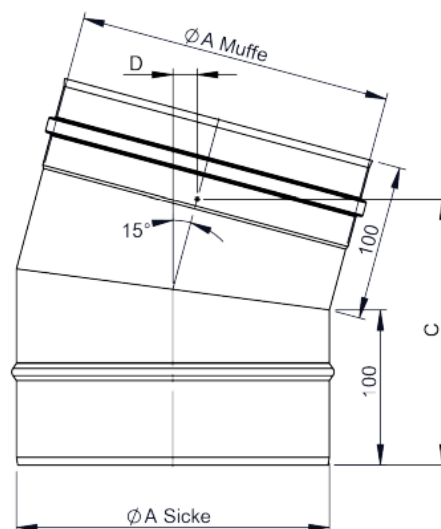


ALBI06...17

koljeno 15° fiksno (ručno vareno)



Ø	Code	A	B	C	D	E	F	G	H	kg
080	ALBI06D17080	80		153	13					0.26
100	ALBI06D17100	100		156	13					0.33
115	ALBI06D17115	115		158	13					0.38
120	ALBI06D17120	120		158	13					0.4
130	ALBI06D17130	130		159	14					0.43
140	ALBI06D17140	140		161	14					0.47
150	ALBI06D17150	150		162	14					0.5
160	ALBI06D17160	160		163	14					0.54
180	ALBI06D17180	180		166	14					0.62
200	ALBI06D17200	200		169	15					0.69
225	ALBI06D17225	225		172	15					0.79
250	ALBI06D17250	250		175	16					0.89

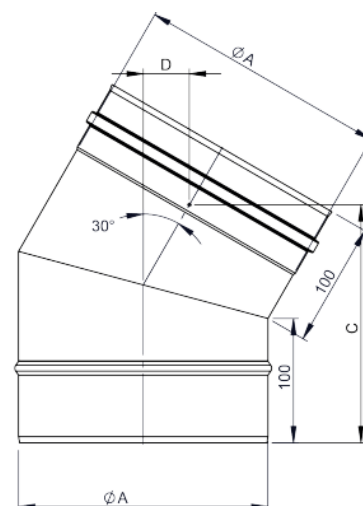


ALBI06...18

koljeno 30° fiksno (ručno vareno)



Ø	Code	A	B	C	D	E	F	G	H	kg
080	ALBI06D18080	80		158	27					0.27
100	ALBI06D18100	100		163	29					0.35
115	ALBI06D18115	115		167	30					0.41
120	ALBI06D18120	120		168	30					0.43
130	ALBI06D18130	130		171	31					0.47
140	ALBI06D18140	140		173	31					0.51
150	ALBI06D18150	150		176	32					0.55
160	ALBI06D18160	160		178	33					0.59
180	ALBI06D18180	180		183	34					0.68
200	ALBI06D18200	200		188	36					0.78
225	ALBI06D18225	225		195	37					0.89
250	ALBI06D18250	250		201	39					1.02





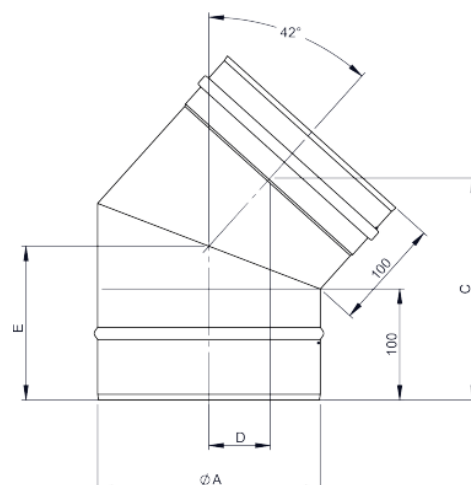
Sistem EW – LINE FLEX AL

ALBI06...2231

koljeno 42° fiksno (ručno vareno)



Ø	Code	A	B	C	D	E	F	G	H	kg
080	ALBI06D2231080	80		160	40	116				0,3
100	ALBI06D2231100	100		167	42	119				0,4
115	ALBI06D2231115	115		172	44	122				0,4
120	ALBI06D2231120	120		173	45	123				0,5
130	ALBI06D2231130	130		177	46	125				0,5
140	ALBI06D2231140	140		180	48	127				0,5
150	ALBI06D2231150	150		184	49	129				0,6
160	ALBI06D2231160	160		187	50	131				0,6
180	ALBI06D2231180	180		193	53	135				0,7
200	ALBI06D2231200	200		200	55	139				0,8
225	ALBI06D2231225	225		208	58	143				1
250	ALBI06D2231250	250		217	62	148				1,1

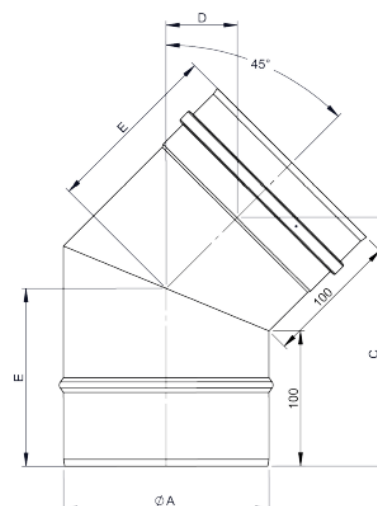


ALBI06...19

koljeno 45° fiksno (ručno vareno)



Ø	Code	A	B	C	D	E	F	G	H	kg
080	ALBI06D19080	80		159	42	117				0.3
100	ALBI06D19100	100		166	45	121				0.38
115	ALBI06D19115	115		171	47	124				0.45
120	ALBI06D19120	120		173	48	125				0.47
130	ALBI06D19130	130		177	50	127				0.52
140	ALBI06D19140	140		180	51	129				0.57
150	ALBI06D19150	150		184	53	131				0.62
160	ALBI06D19160	160		187	54	133				0.67
180	ALBI06D19180	180		195	57	138				0.78
200	ALBI06D19200	200		201	50	142				0.89
225	ALBI06D19225	225		210	64	147				1.03
250	ALBI06D19250	250		219	67	152				1.19

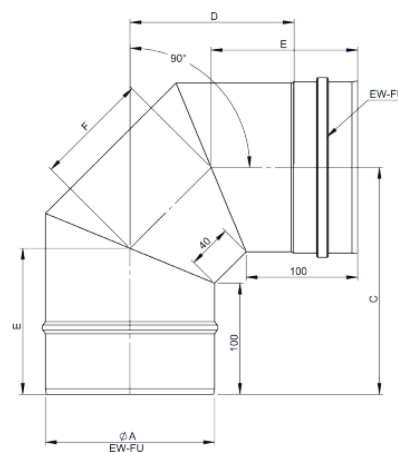


ALBI06...29

koljeno 90° fiksno (ručno vareno)



Ø	Code	A	B	C	D	E	F	G	H	kg
080	ALBI06D29080	80		169	112	117	74			0.4
100	ALBI06D29100	100		179	122	121	82			0.5
115	ALBI06D29115	115		186	129	124	88			0.6
120	ALBI06D29120	120		189	132	125	90			0.6
130	ALBI06D29130	130		194	137	127	94			0.7
140	ALBI06D29140	140		199	142	129	98			0.8
150	ALBI06D29150	150		204	147	131	103			0.9
160	ALBI06D29160	160		209	152	133	107			0.9
180	ALBI06D29180	180		219	162	138	115			1.1
200	ALBI06D29200	200		229	172	142	123			1.3
225	ALBI06D29225	225		241	172	142	123			1.5
250	ALBI06D29250	250		254	197	152	144			1.7

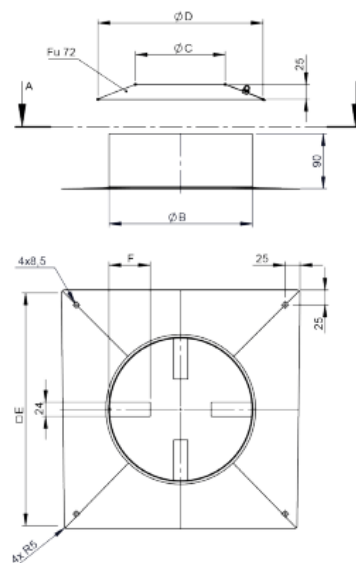
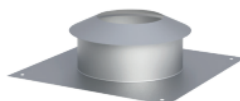




Sistem EW – LINE FLEX AL

FU25

pokrov otvora sa obručem protiv padalina
matirano



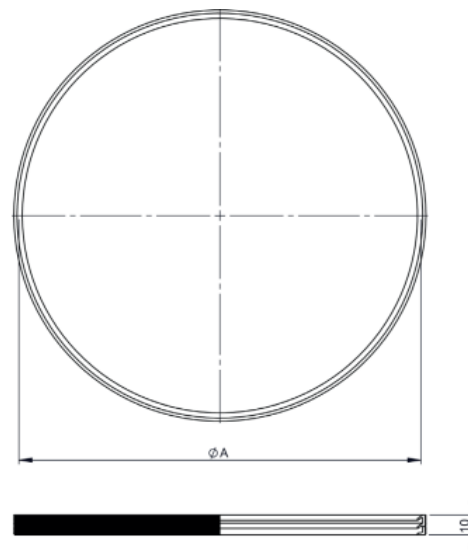
za ϕ	Code	A	B	C	D	E	F	G	H	kg
080	FU25080		160	80	210	330	60			0.39
100	FU25100		180	100	230	330	70			0.44
110	FU25110		190	110	240	330	70			1.11
115	FU25115		190	115	245	400	70			1.11
120	FU25120		190	120	250	400	70			1.12
125	FU25125									
130	FU25130		210	130	260	400	70			1.13
140	FU25140		210	140	270	400	70			1.14
150	FU25150		240	150	280	400	70			1.14
160	FU25160		240	160	290	400	70			1.15
180	FU25180		260	180	310	420	70			1.26
200	FU25200		280	200	330	420	70			1.27
225	FU25225		305	225	355	450	70			1.38
250	FU25250		330	250	380	500	70			1.6

ALBI26

brtveni prsten unutarnji, silikon do 200°C



za ϕ	Code	A	B	C	D	E	F	G	H	kg
080	ALBI26080	80								
100	ALBI26100	100								
115	ALBI26115	115								
120	ALBI26120	120								
130	ALBI26130	130								
140	ALBI26140	140								
150	ALBI26150	150								
160	ALBI26160	160								
180	ALBI26180	180								
200	ALBI26200	200								
225	ALBI26225	225								
250	ALBI26250	250								

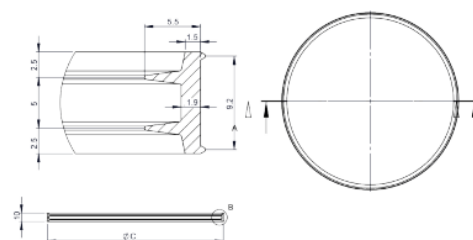


ALBI367

brtveni prsten unutarnji, EPDM do 120°C



za ϕ	Code	A	B	C	D	E	F	G	H	kg
080	ALBI367080			88						
100	ALBI367100			108						
115	ALBI367115			123						
120	ALBI367120			128						
130	ALBI367130			138						
150	ALBI367150			158						
160	ALBI367160			168						
180	ALBI367180			188						
200	ALBI367200			208						
250	ALBI367250			262						





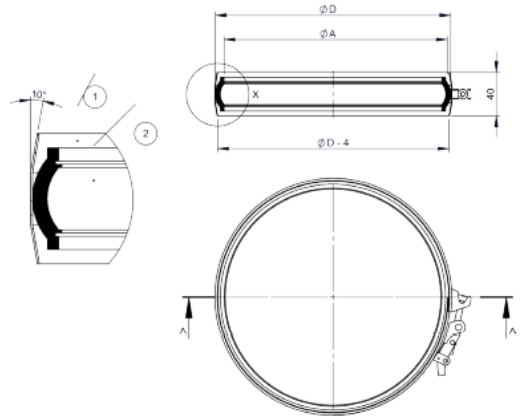
Sistem EW – LINE FLEX AL

AL45V

univerzalni brtveni set za priključak kotla i
vanjski sučeoni spoj brtve i obujmice



za Ø	Code	A	B	C	D	E	F	G	H	kg
080	AL45V080	80			96					0.1
100	AL45V100	100			116					0.2
115	AL45V115	115			131					0.2
120	AL45V120	120			136					0.2
130	AL45V130	130			146					0.2
140	AL45V140	140			156					0.2
150	AL45V150	150			166					0.2
160	AL45V160	160			176					0.2
180	AL45V180	180			196					0.3
200	AL45V200	200			216					0.3
225	AL45V225	225			241					0.3
250	AL45V250	250			266					0.3

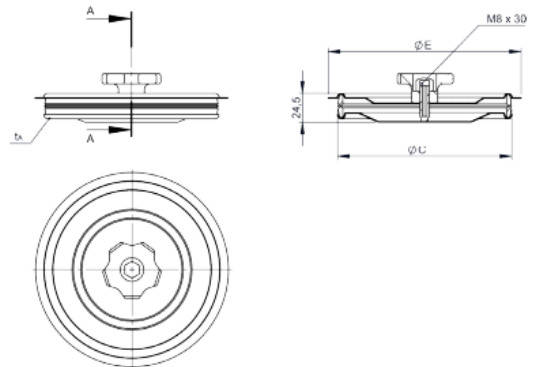


ALBI31

poklopac sa zateznom brtvom



za Ø	Code	A	B	C	D	E	F	G	H	kg
080	ALBI31080				78	94				0.2
100	ALBI31100				98	114				0.2
115	ALBI31115				113	129				0.3
120	ALBI31120				118	134				0.3
130	ALBI31130				128	144				0.3
140	ALBI31140				138	154				0.3
150	ALBI31150				148	164				0.4
160	ALBI31160				158	174				0.4
180	ALBI31180				178	194				0.5
200	ALBI31200				198	214				0.6

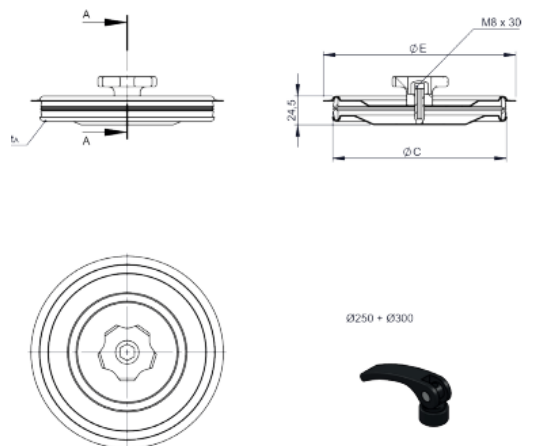


ALBI31

poklopac sa zateznom brtvom



za Ø	Code	A	B	C	D	E	F	G	H	kg
250	ALBI31250				248	264				1.2

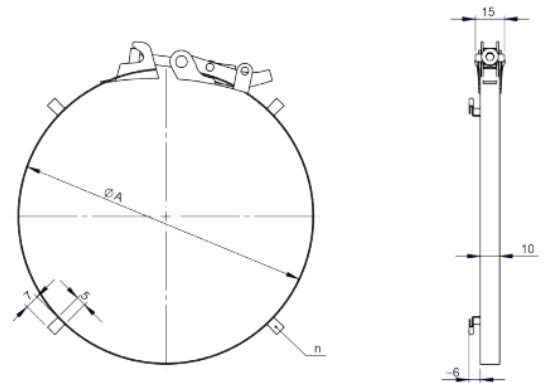




Sistem EW – LINE FLEX AL

ZUAC980

brava poklopca za ALBI31



ALBI21

poklopac perforirani inox 200x200 mm za ventilaciju

